

RB12 AERO - SINGLE INSTALLATION MANUAL

April 2017

CONTENTS

April 2017

This manual is to be read in conjunction with the Product Specifications & Assembly manual

SECTION NO.	DESCRIPTION	PAGE NO.
SECTION 1 – ITEMS REQUIRED		1.1
SECTION 2 – INSTALLATION		2.1
	PART A – PREPARING INSTALLATION SPACE	2.1
	PART B – MOUNTING BRACKET AND BLIND INSTALLATION	2.1
	PART C – PRETENSION CHECKS	2.3
	PART D – SET LIMITS	2.5
SECTION 3 – INSTALLATION SCENARIOS		3.1
	PART A – MULTIPLE BLINDS INSTALLED SIDE-BY-SIDE	3.1
SECTION 4 – TROUBLESHOOTING		4.1

DISCLAIMER

INTRODUCTION

This Installation manual has been produced by Rollease Acmeda to supply the necessary information for safe and correct installation of this system.

INSTALLERS RESPONSIBILITY

Before installing, please read & ensure you understand the safety information and installation instructions as defined in this installation manual.

- If you do not fully understand these instructions, contact Rollease Acmeda for clarification before installing.
- The Installer is responsible to ensure that all installation personnel have been adequately trained on the safe & correct installation and operation.
- The Installer is responsible to ensure that a Job Safety Analysis or Safe Work Method Statement is completed prior to installation to identify hazards, to determine appropriate risk control measures and to implement the control measures.
- The Installer is responsible to ensure that supporting structures are sound and can adequately support the load.
- The Installer is responsible to ensure that the devices used to anchor the product to the supporting structure are suitable for the application.
- The fasteners provided are intended for fixing to timber. The installer is responsible for selecting fasteners that are suitable for other substrates

SAFETY INFORMATION

- Ensure Job Safety Analysis/Safe Work Method Statement is completed and actions to reduce risks are implemented.
- Ensure that electrical works are done only by a LICENSED ELECTRICIAN.
- DO NOT modify any of the components of this system.

PERSONNEL REQUIREMENTS

Only suitably trained/qualified personnel should undertake installation.

DISCLAIMER

Rollease Acmeda has used reasonable care in preparing the information included in this document, but makes no representations or warranties as to the completeness or accuracy of the information. Information is supplied upon the condition that the persons receiving the information will make their own determination as to its suitability for their purposes prior to use. Rollease Acmeda assumes no liability whatsoever for any damages incurred by you resulting from errors in or omissions from the information included herein. Rollease Acmeda reserves the right to make changes without further notice to any products to improve reliability, function or design.

COPYRIGHT

COPYRIGHT © ROLLEASE ACMEDA 2016

All rights reserved. No part of this document may be reproduced or utilised in any means, by any means, electronic or mechanical including photocopying, recordings, or by any information storage or retrieval system, without the express permission from Rollease Acmeda.

SECTION 1 – ITEMS REQUIRED

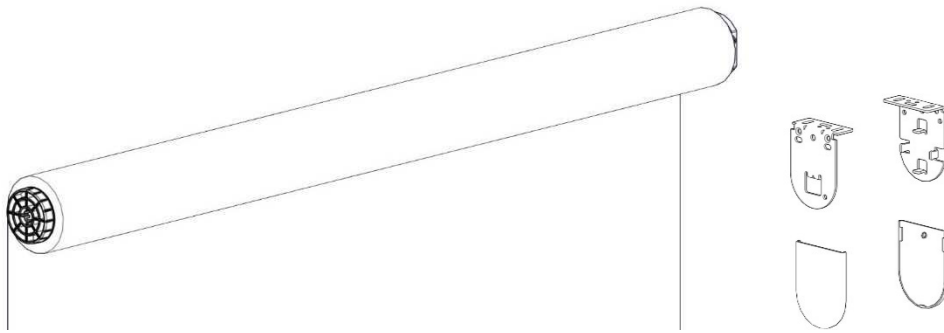
TOOLS REQUIRED

- Drill
- Drill Bits
- Measuring Tape
- Pencil
- Screw Driver - Flat Head

BLIND ITEMS REQUIRED

Check you have all items required to complete installation;

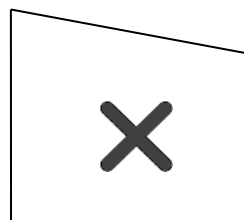
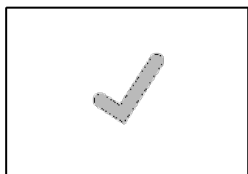
1. Blind Assembly
2. 2 x Bracket Covers
3. 2 Mounting Brackets



SECTION 2 – INSTALLATION

PART A – PREPARING INSTALLATION SPACE

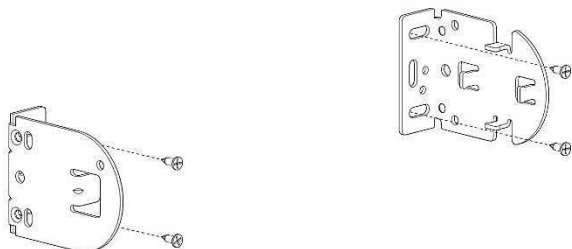
STEP 1 – ENSURE TOP OF INSTALLATION SPACE IS LEVEL



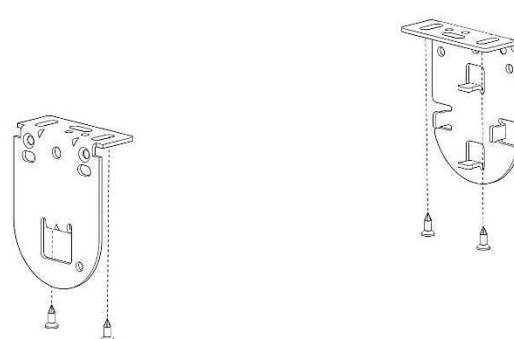
PART B – MOUNTING BRACKET AND BLIND INSTALLATION

STEP 1 – INSTALL BRACKETS TO WALL / CEILING USING APPROPRIATE FIXINGS TO SUIT APPLICATION

FACE FIX

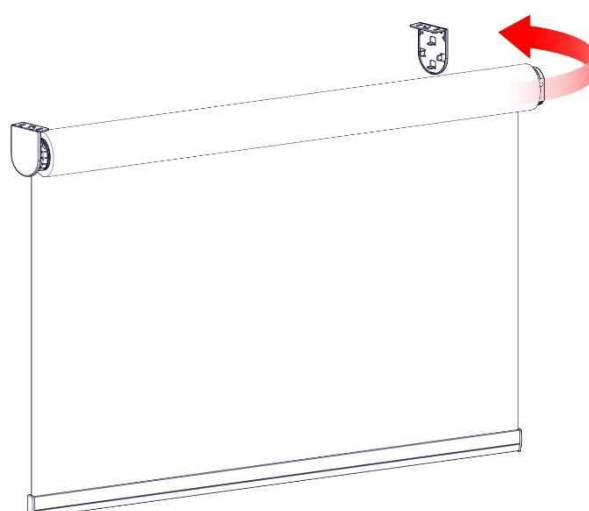
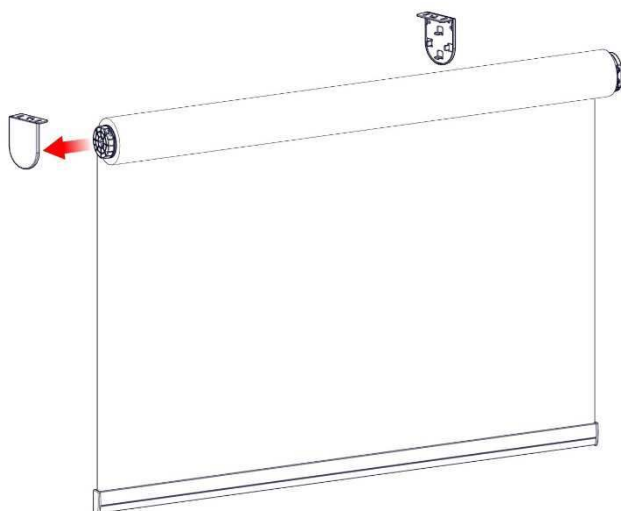


TOP FIX



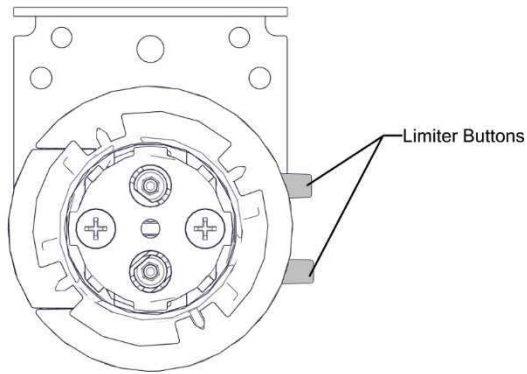
NOTE: Install additional Easy-Link bracket if required

STEP 2 – INSTALL BLIND ONTO MOUNTING BRACKETS



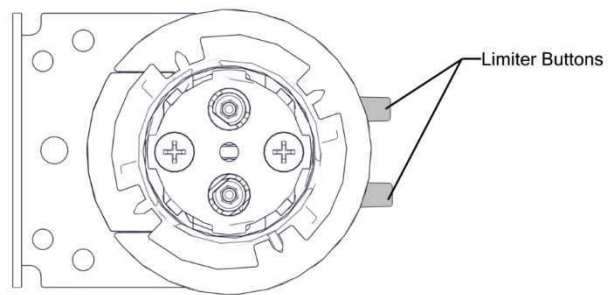
LIMITER INSTALLATION OPTIONS & BUTTON LOCATIONS

Top Fix



****For each limiter, the button closest to the ceiling is the Top Limit Button****

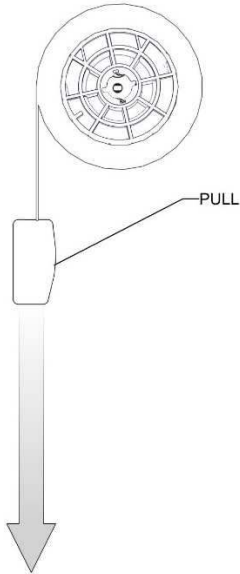
Face Fix



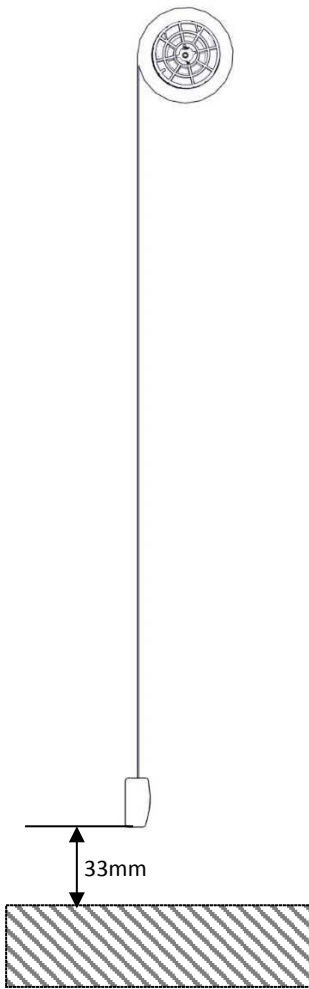
PART C – PRETENSION CHECKS

STEP 1 – CHECK FUNCTIONALITY OF PRE-TENSIONED BLIND

i) **PULL** Bottom Rail down to bottom location



ii) Blind will raise within range indicated below to find locked position and provide a 'Release Allowance' (for raising the blind)

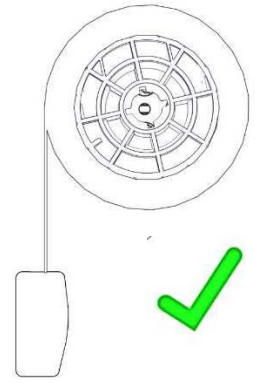


iii) **TUG** Bottom Rail (Blind will automatically rise)



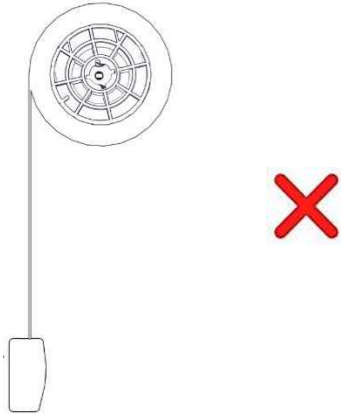
NOTE: As limits are not set, ensure Bottom Rail is controlled so blind doesn't spring into Cassette and damage fabric

If Bottom Rail raises at the desired speed, the correct number of pre-turns have been assigned. No further adjustments may be required when limit is set.



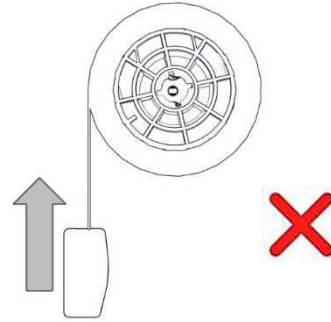
PROCEED TO PART D

If Blind stops midway, insufficient pre-turns have been assigned.



Pre-turns to be added

If Blind operates too fast, too many pre-turns have been assigned.

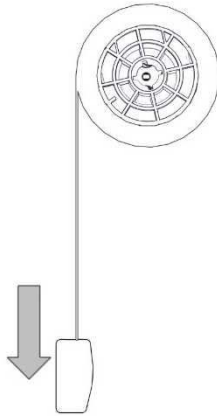


Pre-turns to be removed

ADDING PRE-TURNS

Ensure Blind is 'Locked'.

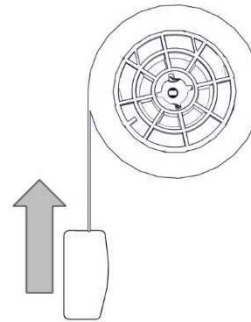
LOCKED BLIND: Blind on way down or reached the bottom



REMOVING PRE-TURNS

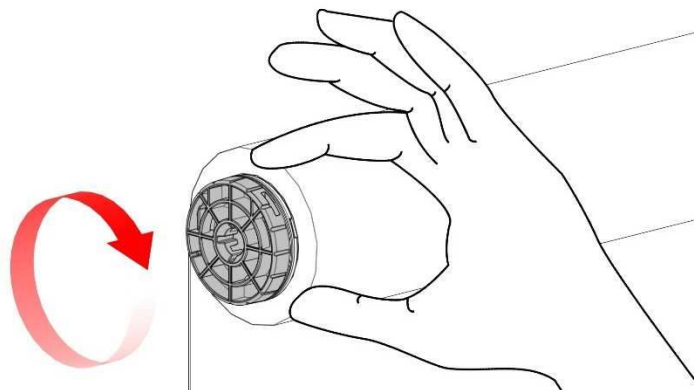
Ensure Blind is 'Unlocked'.

UNLOCKED BLIND: Blind on way up or reached the top



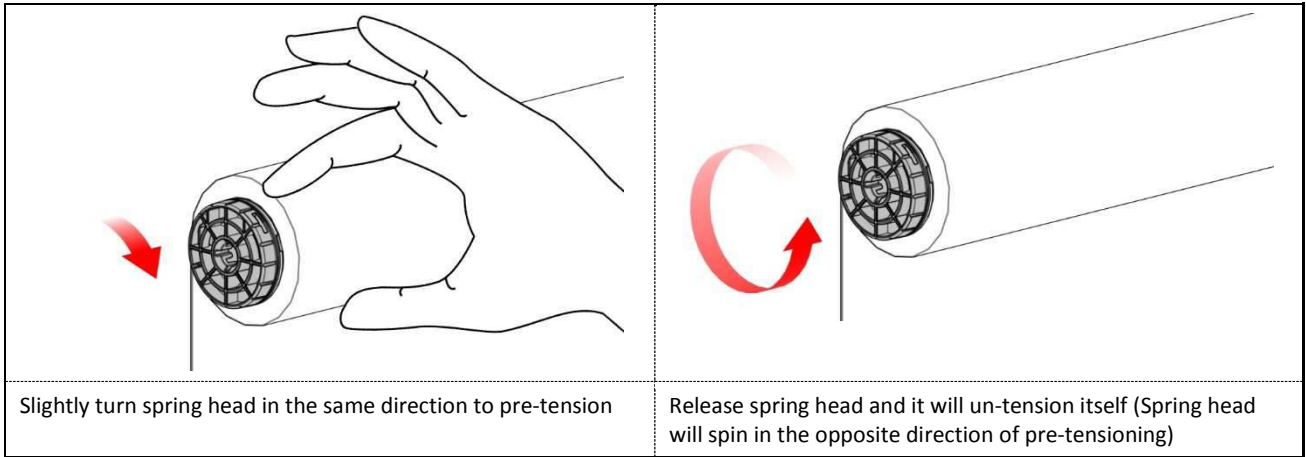
CHAINFREE OPERATION

Adding Pre-Turns



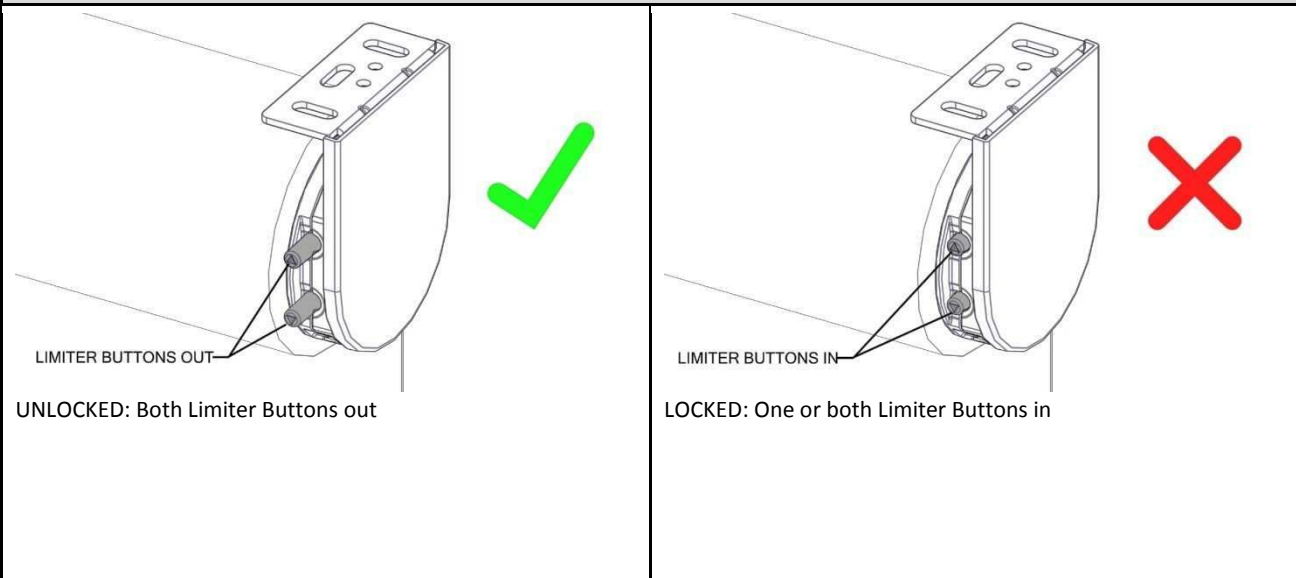
(Pretension direction is reversed for RH control)

Removing Pre-Turns

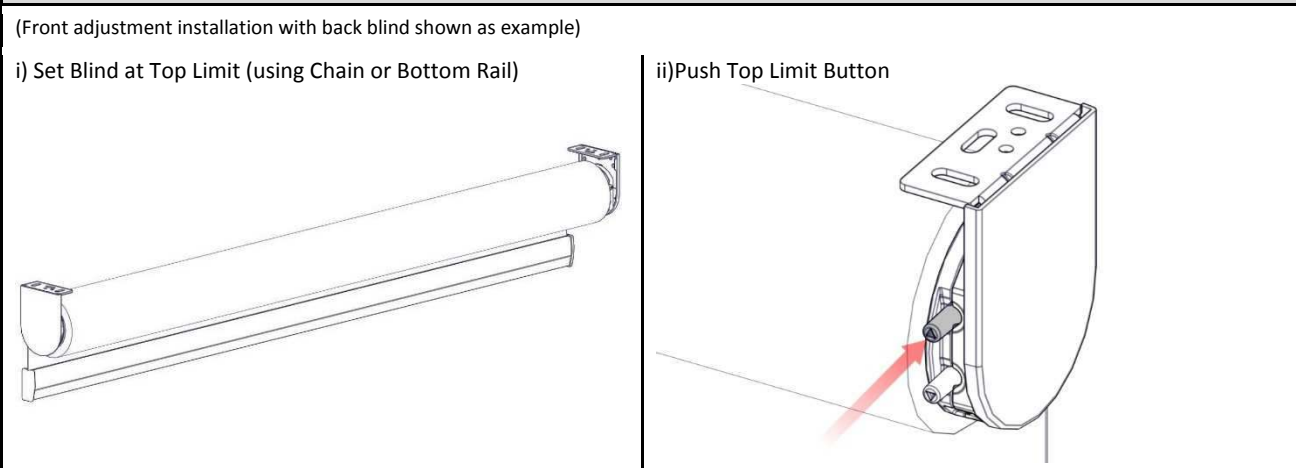


PART D – SET LIMITS

STEP 1 – ENSURE LIMITERS ARE UNLOCKED

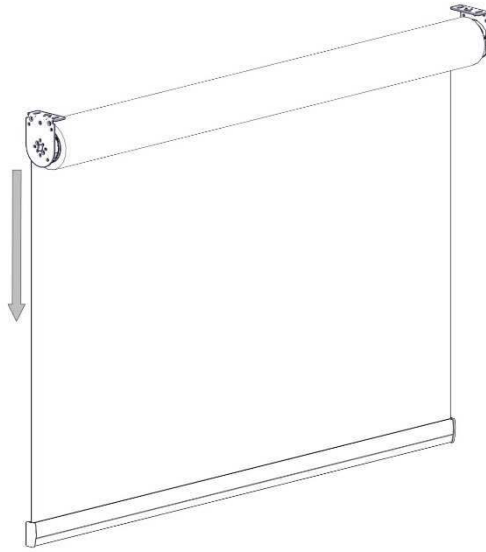


STEP 2 – SET TOP LIMIT

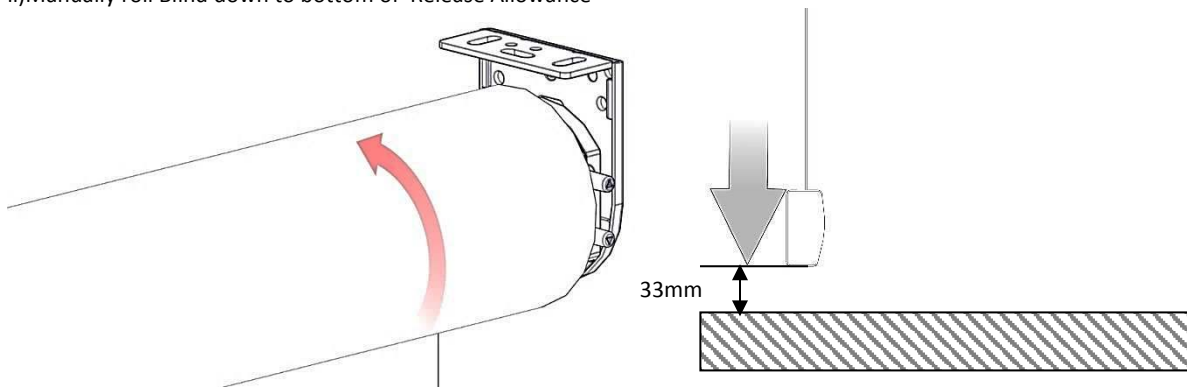


STEP 3 – SET BOTTOM LIMIT

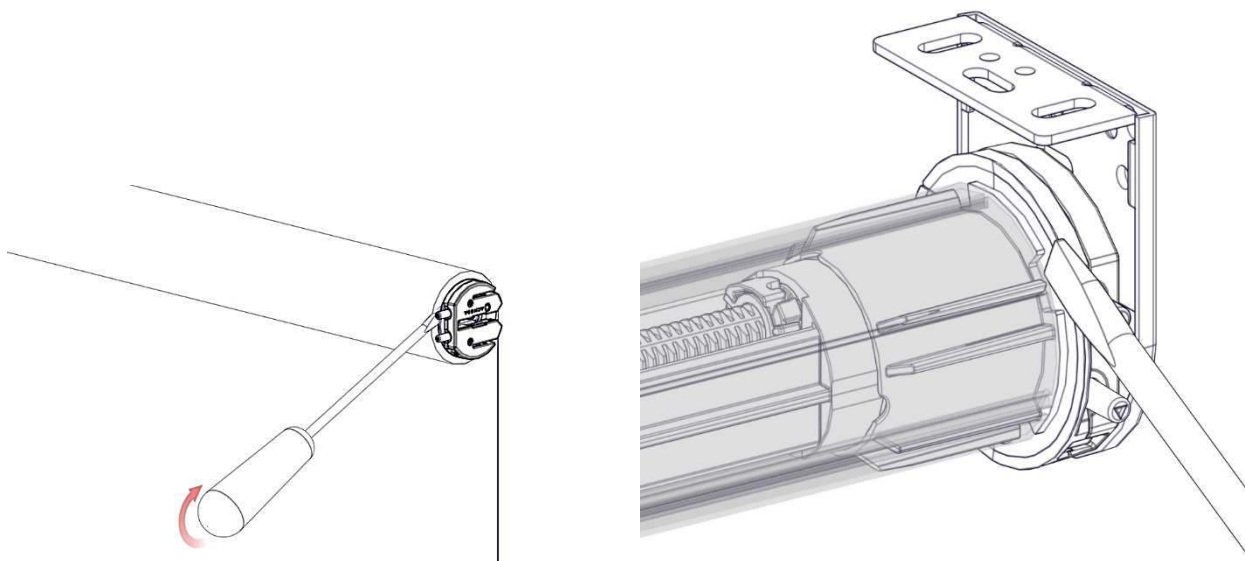
i) Set Blind at Bottom Limit (using Bottom Rail)



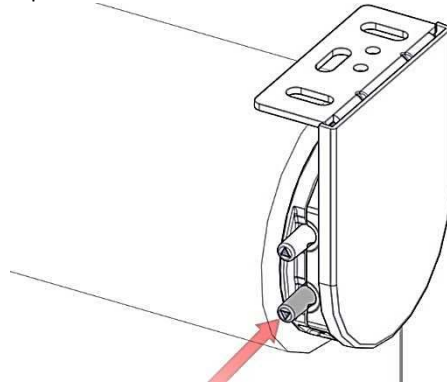
ii) Manually roll Blind down to bottom of 'Release Allowance'



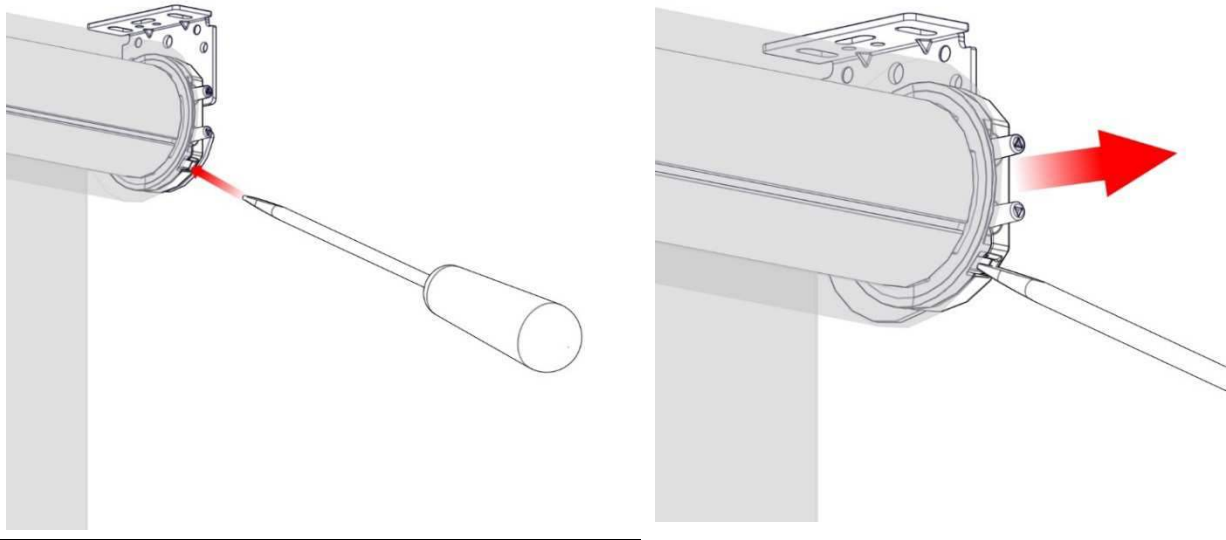
Alternative Option: To avoid gripping fabric, insert Flat Head Screw Driver into Grooves of Limiter and rotate Blind down to bottom of 'Release Allowance'



iii) Hold Blind in down position and push Bottom Limit Button

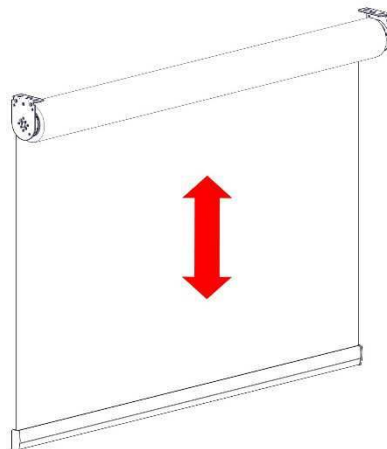


STEP 4 – IF LIMITER NEEDS REMOVING, USE SCREW DRIVER TO RELEASE LOCKING FEATURE AND SLIDE OUT



STEP 5 – TEST LIMITS & BLIND FUNCTIONALITY

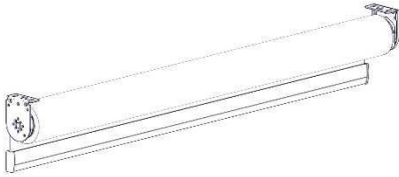
Operate Blind up & down



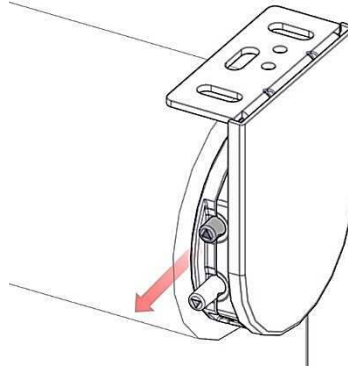
For details regarding blind operation, refer to Product Specifications Manual, Section 1, Part B

ADJUSTING TOP LIMIT

i) Ensure Blind at current Top Limit



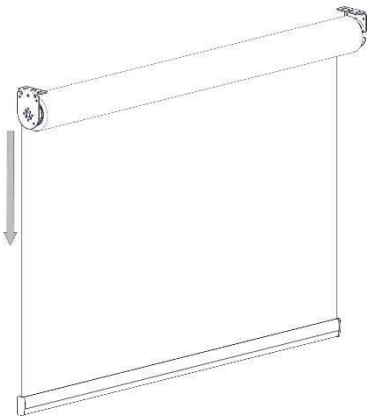
ii) Unlock Top Limit



iii) Set new Top Limit (refer Step 3)

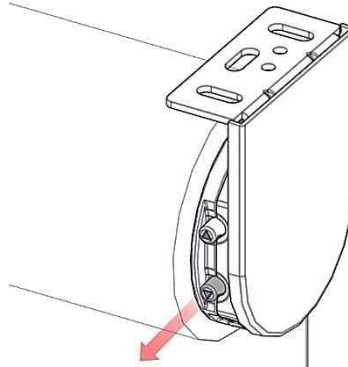
ADJUSTING BOTTOM LIMIT

i) Ensure Blind is at current Bottom Limit



ii) Manually roll Blind down to bottom of 'Release Allowance' (Refer Step 4.ii)

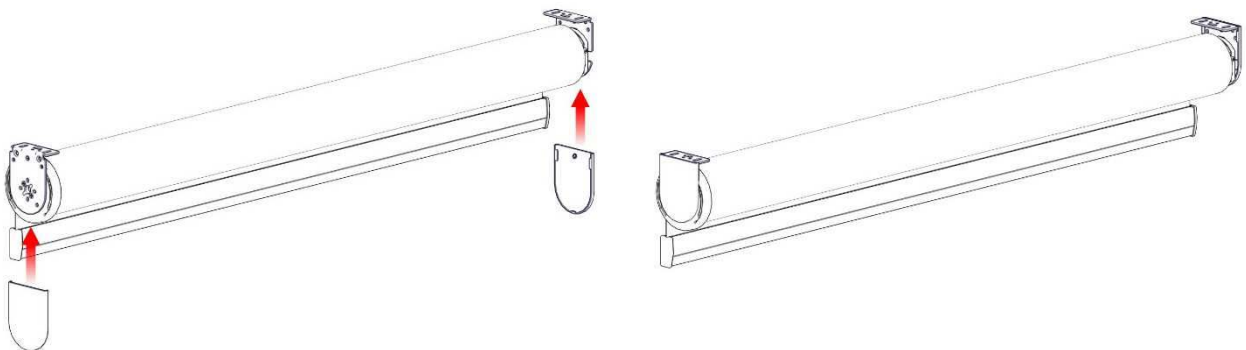
iii) Hold Blind in down position Unlock Bottom Limit



iv) Set new Bottom Limit (refer Step 4)

If Pre-Tensioning needs to be adjusted refer to Part D

STEP 6 – SLIDE END CAP COVERS OVER BRACKETS



PART A – MULTIPLE BLINDS INSTALLED SIDE-BY-SIDE

ALIGNING BLINDS



i) Install '1st Blind' as per Section 2 of this manual.

Leave '1st Blind' down

(NOTE: '1st Blind' is determined by 'Control Side'; the 'Control Side' is adjacent to the next blind.)

ii) Install 'Central Blind(s)' as per Section 2, Parts B, C & D of this manual.

TIP: Ensure each blind has the same number of pre-tensions as the '1st Blind'.

Ensure each blind is aligned correctly with the '1st Blind'; refer to Section 2, Part D, Step 3 for correcting slight misalignment.

Set Top & Bottom Limits as per Section 2, Part E of this manual to match '1st Blind'.

iii) Install 'Last Blind' as per Section 2, Parts B, C & D of this manual.

TIP: Ensure each blind has the same number of pre-tensions as the '1st Blind'.

Ensure each blind is aligned correctly with the '1st Blind'; refer to Section 2, Part D, Step 3 for correcting slight misalignment.

NOTE: If the blind pre-tension is to be adjusted and there is insufficient space to rotate Socket Ratchet within installation, Blind & Box to be removed from Mounting Clips to undertake process. TIP: Measure the amount of misalignment in blinds prior to removing blind.

Set Top & Bottom Limits as per Section 2, Part E of this manual to match '1st Blind'.

SECTION 4 – TROUBLESHOOTING

NO.	PROBLEM	CAUSE	SOLUTION
1	Cannot find limit	Limits incorrectly Set	<p>TOP LIMIT</p> <ul style="list-style-type: none"> a) Position Blind fully retracted b) Unlock top limit button c) Lower Blind to half height d) Lock top limit button e) Raise Blind until limit is found <p>If limit not found, repeat steps a-e</p> <hr/> <p>BOTTOM LIMIT</p> <ul style="list-style-type: none"> a) Position Blind fully lowered b) Unlock bottom limit button c) Raise blind to half height d) Lock bottom limit button e) Lower Blind until limit is found <p>If limit not found, repeat steps a-e</p>